

APPLICATIONS

Mobile Home Equipment
Marine Applications
Personal Carriers
Cleaning Machines
Utility Vehicles

SPECIFICATIONS

Nominal Voltage	6V	
Nominal capacity @20 hour rate	200Ah	
Capacity at 25°C	10 hour rate	190Ah
	5 hour rate	175Ah
	1 hour rate	138Ah
Shelf time @20°C up to 70%	in months	9
Internal resistance (at 1 KHz)	approx. 1,65 mΩ	
Operating temperature for (dis)charge	-15°C to + 40°C	

DIMENSIONS

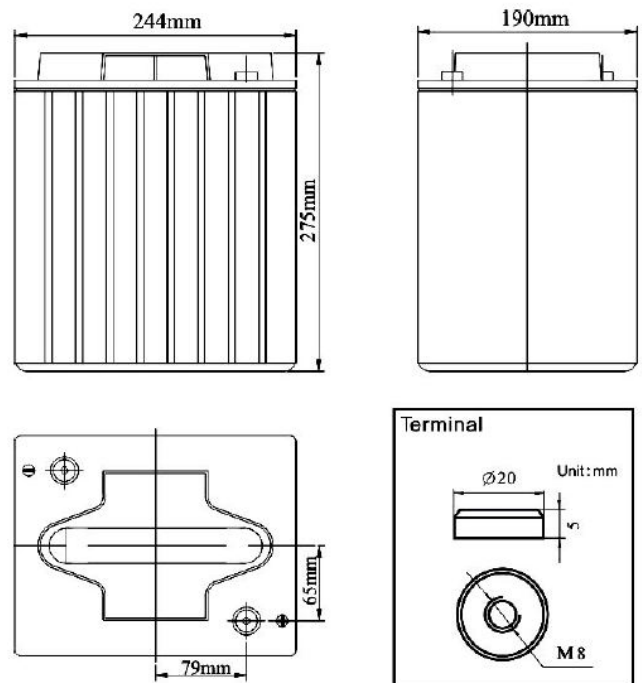
Dimensions LxWxH (T) in mm	244x188x275 (275)
Weight	30kg (±2%)
Separator	AGM, Glass Matt
Case and cover	ABS
Terminal	M8 Insert
Torque setting (recommended)	M8: 10 Nm
Maximum allowable torque value	M8: 12 Nm

CHARGING

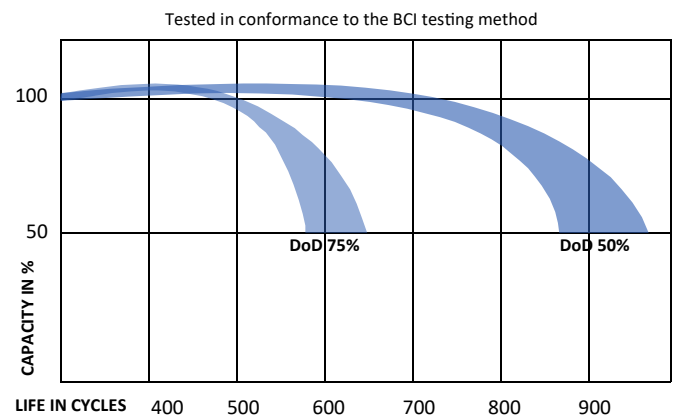
Charging Voltage cycle use 7,2 to 7,45 Volt
Float charge Voltage 6,8 to 6,9 Volt
Charging current, minimum 25A - maximum 32A

CYCLE LIFE

To maximize the cycle life of the battery, we recommend to charge the battery fully after use. The total life of the battery, is very dependant on the correct charge and depth of discharge per cycle.



BATTERY LIFE UNDER CYCLIC USE



* Cycle life is measured with a discharge current 0,2C, charged 16h and rest capacity of 2/3 Cn