

### APPLICATIONS

Mobile Home Equipment  
Marine Applications  
Personal Carriers  
Cleaning Machines  
Utility Vehicles

### SPECIFICATIONS

Nominal Voltage	12V	
Nominal capacity @20 hour rate	220Ah	
Capacity at 25°C	10 hour rate	200Ah
	5 hour rate	180Ah
	1 hour rate	125Ah
Shelf time @20°C up to 70%	in months	9
Internal resistance (at 1 KHz)	approx. 2,7 mΩ	
Operating temperature for (dis)charge	-15°C to + 40°C	

### DIMENSIONS

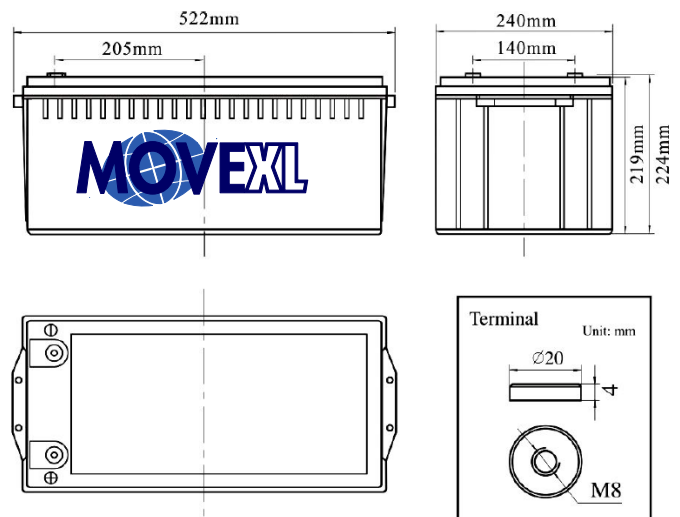
Dimensions LxWxH (T) in mm	522x240x219 (225)
Weight	65kg (±2%)
Separator	AGM, Glass Matt
Case and cover	ABS
Terminal	M8
Torque setting (recommended)	M8 (Copper): 8 Nm
Maximum allowable torque value	M8 (Copper): 10 Nm

### CHARGING

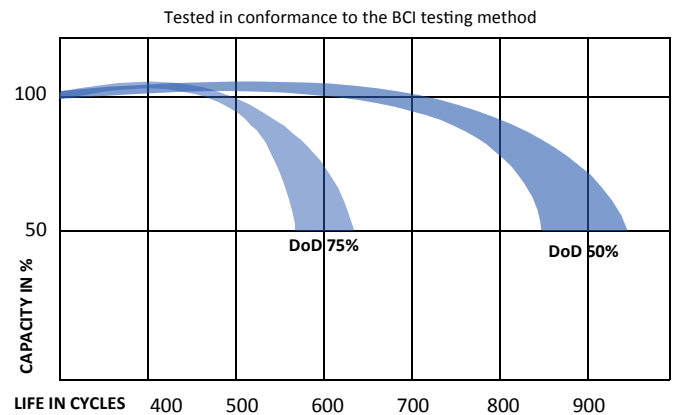
Charging Voltage cycle use 14,4 to 14,9 Volt  
Float charge Voltage 13,6 to 13,8 Volt  
Charging current, minimum 20A - maximum 44A

### CYCLE LIFE

To maximize the cycle life of the battery, we recommend to charge the battery fully after use. The total life of the battery, is very dependant on the correct charge and depth of discharge per cycle.



### BATTERY LIFE UNDER CYCLIC USE



\* Cycle life is measured with a discharge current 0,2C, charged 16h and rest capacity of 2/3 Cn