

### APPLICATIONS



Powerchairs / home mobility equipment  
 Scooters, 3- and 4 wheels  
 Cleaning Machines  
 Lifts / elevated work platforms  
 Personal Carriers  
 Utility Vehicles

### SPECIFICATIONS



Nominal Voltage		12V
Nominal capacity @20 hour rate		150Ah
Capacity at 25°C	10 hour rate	140Ah
	5 hour rate	130Ah
	1 hour rate	86 Ah
Shelf time @20°C up to 70%	in months	9
Internal resistance (at 1 KHz)		approx. 4 mΩ
Operating temperature for (dis)charge		-15°C to + 40°C

### DIMENSIONS



Dimensions LxWxH (T) in mm	407x171x240 (240)
Weight	41 kg (±2%)
Separator	AGM, Glass Matt
Case and cover	ABS (UL94-V0 optional)
Terminal	M8 Insert
Torque setting (recommended)	M8: 10 Nm
Maximum allowable torque value	M8: 12 Nm

### CHARGING



Charging Voltage cycle use 14,4 to 14,9 Volt  
 Float charge Voltage 13,6 to 13,8 Volt  
 Charging current, minimum 15A - maximum 25A

### CYCLE LIFE



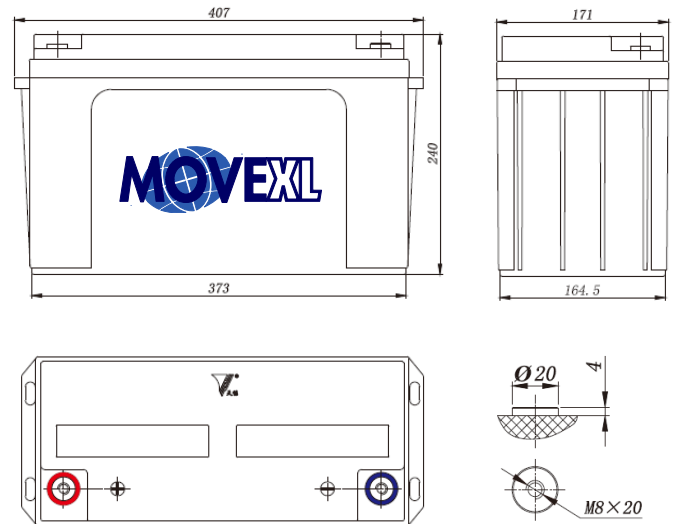
To maximize the cycle life of the battery, we recommend to charge the battery fully after use. The total life of the battery, is very dependant on the correct charge and depth of discharge per cycle.

### TRANSPORT INFORMATION



This battery is NON-SPILLABLE as defined in IATA Dangerous Goods Regulations Packing Instructions 806, Special Provision A67.

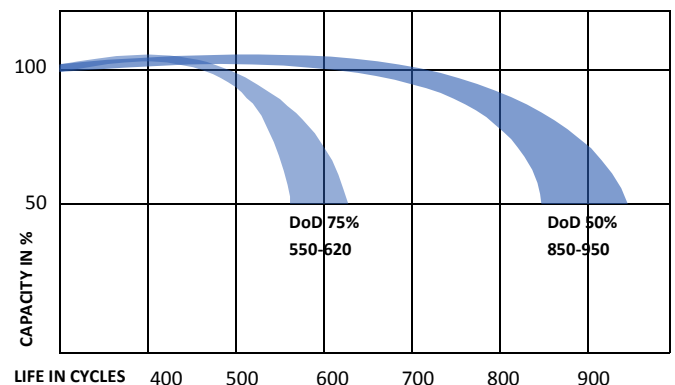
NO IMAGE  
AVAILABLE



### BATTERY LIFE UNDER CYCLIC USE



Tested in conformance to the BCI testing method



\* Cycle life is measured with a discharge current 0,2C, charged 16h and rest capacity of 2/3 Cn