

APPLICATIONS

- Powerchairs / home mobility equipment
- Scooters, 3- and 4 wheels
- Cleaning Machines
- Lifts (stairs / bathrooms)
- Personal Carriers
- Utility Vehicles

SPECIFICATIONS

Nominal Voltage	12V	
Nominal capacity @20 hour rate	110Ah	
Capacity at 25°C	10 hour rate	99Ah
	5 hour rate	88Ah
	1 hour rate	61Ah
Shelf time @20°C up to 70%	in months	9
Internal resistance (at 1 KHz)	approx. 5 mΩ	
Operating temperature for (dis)charge	-15°C to + 40°C	

DIMENSIONS

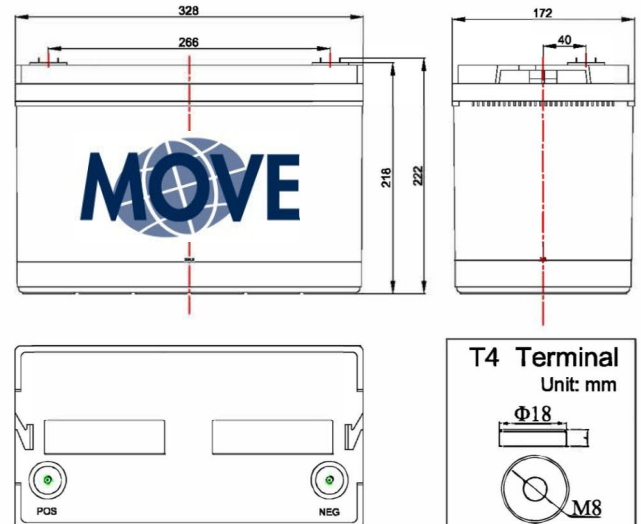
Dimensions LxWxH (T) in mm	328x172x214 (218)
Weight	33,3kg (±2%)
Separator	AGM, Glass Mat
Case and cover	ABS
Terminal	M8 Bolt
Torque setting (recommended)	M8: 7 Nm
Maximum allowable torque value	M8: 9 Nm

CHARGING

- Charging Voltage cycle use 14,4 to 15 Volt
- Float charge Voltage 13,5 to 13,8 Volt
- Charging current, minimum 12A - maximum 15A

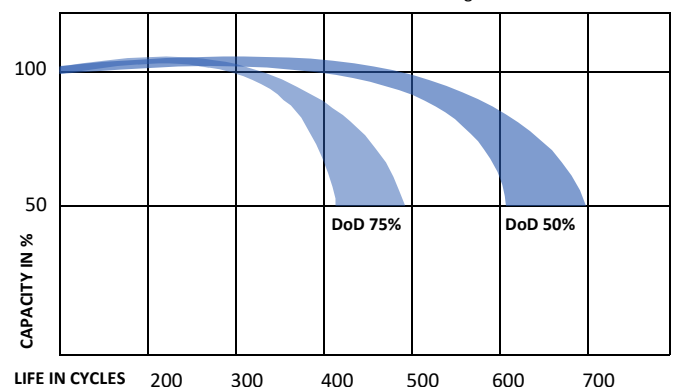
CYCLE LIFE

To maximize the cycle life of the battery, we recommend to charge the battery fully after use. The total life of the battery, is very dependant on the correct charge and depth of discharge per cycle.



BATTERY LIFE UNDER CYCLIC USE

Tested in conformance to the BCI testing method



* Cycle life is measured with a discharge current 0,2C, charged 16h and rest capacity of 2/3 Cn