

### APPLICATIONS



Lift Equipment  
Marine Applications  
Personal Carriers  
Cleaning Machines  
Utility/Golf Vehicles

### SPECIFICATIONS



|                                       |                 |       |
|---------------------------------------|-----------------|-------|
| Nominal Voltage                       | 8V              |       |
| Nominal capacity @20 hour rate        | 200Ah           |       |
| Capacity at 25°C                      | 10 hour rate    | 180Ah |
|                                       | 5 hour rate     | 159Ah |
|                                       | 1 hour rate     | 110Ah |
| Shelf time @20°C up to 70%            | in months       | 9     |
| Internal resistance (at 1 KHz)        | approx. 3 mΩ    |       |
| Operating temperature for (dis)charge | -15°C to + 40°C |       |

### DIMENSIONS



|                                |                                 |
|--------------------------------|---------------------------------|
| Dimensions LxWxH (T) in mm     | 260x182x295 (301)               |
| Weight                         | 39kg (±2%)                      |
| Separator                      | Fiber Glass, Gelled Electrolyte |
| Case and cover                 | ABS                             |
| Terminal                       | M8                              |
| Torque setting (recommended)   | M8 (Copper): 8 Nm               |
| Maximum allowable torque value | M8 (Copper): 10 Nm              |

### CHARGING

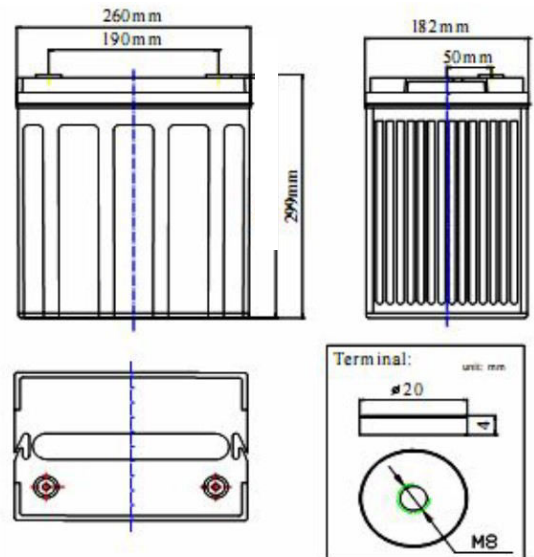


Charging Voltage cycle use 9,07 to 9,2 Volt  
Float charge Voltage 9,6 to 9,94 Volt  
Charging current, minimum 20A - maximum 30A

### CYCLE LIFE



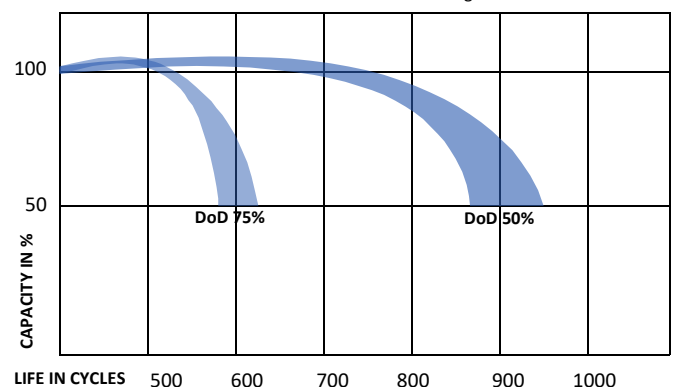
To maximize the cycle life of the battery, we recommend to charge the battery fully after use. The total life of the battery, is very dependant on the correct charge and depth of discharge per cycle.



### BATTERY LIFE UNDER CYCLIC USE



Tested in conformance to the BCI testing method



\* Cycle life is measured with a discharge current 0,2C, charged 16h and rest capacity of 2/3 Cn