

MOVE

MPA 34-12

12V-34Ah - Cyclic AGM Battery

APPLICATIONS

Powerchairs / home mobility equipment
 Scooters, 3- and 4 wheels
 Toys for children
 Lifts (stairs / bathrooms)
 Personal Carriers
 Utility Vehicles

SPECIFICATIONS

Nominal Voltage	12V	
Nominal capacity @20 hour rate	34Ah	
Capacity at 25°C	10 hour rate	32Ah
	5 hour rate	28Ah
	1 hour rate	19Ah
Shelf time @20°C up to 70%	in months	9
Internal resistance (at 1 KHz)	approx. 9 mΩ	
Operating temperature for (dis)charge	-15°C to + 40°C	

DIMENSIONS

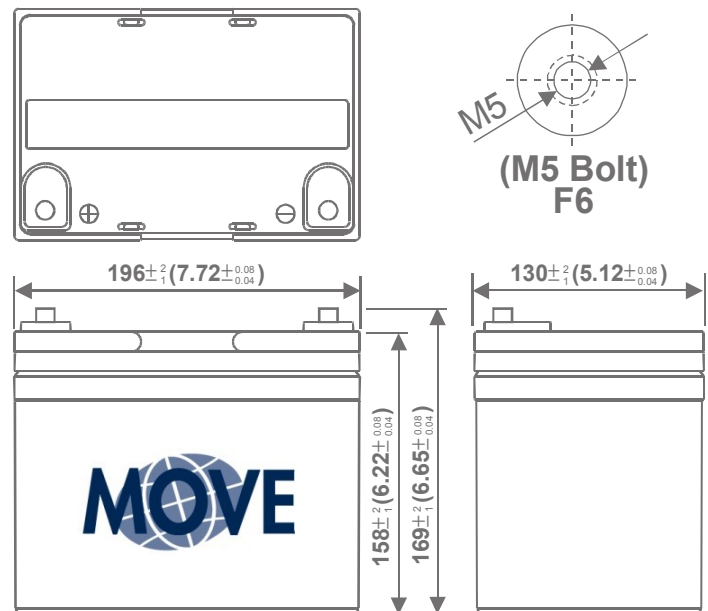
Dimensions LxWxH (T) in mm	196x130x158 (169)
Weight	10,5kg (±2%)
Separator	AGM, Glass Mat
Case and cover	ABS (UL94-V0 optional)
Terminal	M5 Bolt
Torque setting (recommended)	M5: 2,9 Nm
Maximum allowable torque value	M5: 4,9 Nm

CHARGING

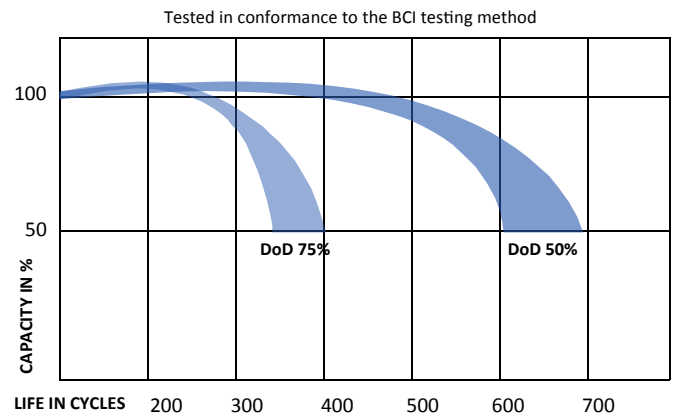
Charging Voltage cycle use 14,4 to 15 Volt
 Float charge Voltage 13,5 to 13,8 Volt
 Charging current, minimum 3,5A - maximum 5A

CYCLE LIFE

To maximize the cycle life of the battery, we recommend to charge the battery fully after use. The total life of the battery, is very dependant on the correct charge and depth of discharge per cycle.



BATTERY LIFE UNDER CYCLIC USE



* Cycle life is measured with a discharge current 0,2C, charged 16h and rest capacity of 2/3 Cn